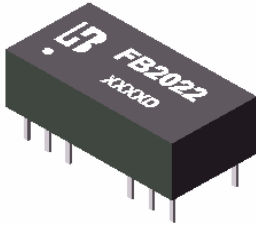


**TRANSMIT / RECEIVER FILTER**

**P/N:FB2022 DATA SHEET APPLY TO GENERIC IC**

**Feature**



- Designed for transmit/receiver filter.
- Operating temperature range : 0°C to +70°C.
- Storage temperature range: -25°C to +125°C.

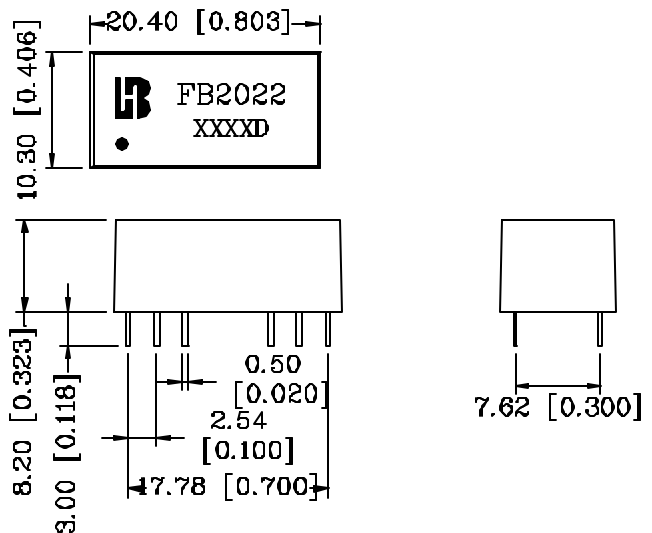
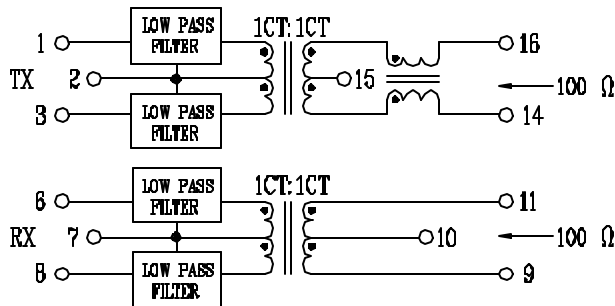
Electrical Specifications @ 25°C				
Part Number	Turns Ratio		CUT-OFF Frequency	Voltage Isolation (Vrms)
	TX	RX		
FB2022	1CT:1CT	1CT:1CT	17 MHz ± 1.5MHz	1500

**Continue**

Part Number	Insertion Loss TX/RX(dB Max)		Attenuation TX/RX(dB Min)		Return Loss TX/RX(dB Min)	Cross talk Attenuation (dB Min)
	1-10MHz	20MHz	30MHz	40MHz		
FB2022	-1.0	-6.8/-4.2	-27/-20	-32/-32	-15/-15	-30

**Schematic**

**Mechanical**



Units: mm[Inches] Tolerances: xx.x0±0.25[0.010]  
0.xx±0.05[0.002]